

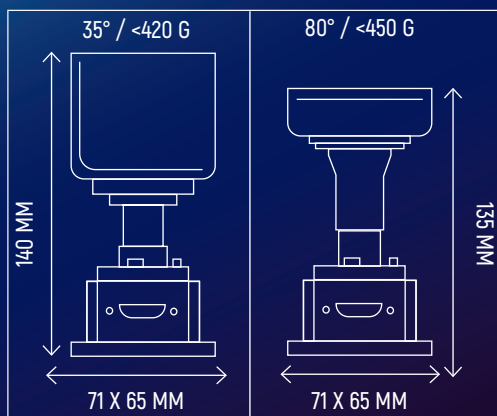
AURICAM D35/D80

MULTI-PURPOSE SPACE CAMERA



- SPECIFICALLY DESIGNED FOR DETECTION, SSA, RENDEZ-VOUS, IN-ORBIT SERVICING, MONITORING & LANDING
- DIFFERENT FIELDS OF VIEW AVAILABLE • 4M PIXEL CMOS SENSOR
- COMPACT, LIGHT-WEIGHT, & LOW POWER
- HIGH ROBUSTNESS, MAGNITUDE, RELIABILITY AND LIFETIME
- GUARANTEED FOR 7/15 YEARS LIFETIME IN LEO/GEO ORBITS
- ECSS CLASS 1

TECHNICAL SPECIFICATIONS



- Compact and light weight design
- Several fields of view available (D35, D80, D8 on request)
- Aperture and focus can be adapted on request
- Optional EGSE and OGSE
- Camera Numerical Model available for realistic simulation
- Accurate calibration available
- Expert technical support available
- EU Dual Use 6A003.b.5 – ITAR Free

END OF LIFE WORST CONDITIONS DATA

CAMERA PERFORMANCES

Diagonal Field of View – 2 options	35°	80°
Focal length	25 mm	10 mm
Pixel angular resolution	44"	112"
Fixed Aperture	F/3.5 (standard); F5.6; F/8	F/4 (standard); F5.6; F/8
Sun Exclusion Angle	38°	64°
Typical detection capability (EOL – 0,001°/s stability – SNR>5)	Magnitude 6 – 8 Object 1m: detectable@800km Object 1cm: detectable @8km	Magnitude 4 – 6 Object 1m: detectable@800km Object 1cm: detectable @8km
Resolution capability	20cm @ 1km / 2m @10km	50 cm @1 km / 5m @ 10 km

ELECTRICAL AND COMMUNICATION INTERFACES

Interface	SpaceWire (128 Mbps with VHDL v1, 160 Mbps with VHDL v2)
Power supply	4.6 to 6 V
Power consumption	< 2W
Frame Rate (with binning)	Up to 5 fps full frame with the existing VHDL v1 Up to 10 fps full frame with VHDL v2 in development

SENSOR CHARACTERISTICS

Resolution	2048 x 2048 pixels – 5.5 µm pitch
Shutter type	Global shutter
Programmable Integration time	[60 µs – 30 s]
Image type	Black & White (Standard) or Color (on request)

ENVIRONMENTAL CHARACTERISTICS

Qualification operating range	-35 to +55 °C (baseplate temp.)
Qualification non-operating range	-45 to +60°C (baseplate temp)
Storage temperature	-45 to +80 °C
Mechanical first resonance frequency	> 600 Hz
Vibration (random)	35°: 14.1 gRMS In plane 21.8 gRMS Out of Plane 80°: 12 gRMS In plane 21.8 gRMS Out of Plane

RELIABILITY, AVAILABILITY AND LIFETIME

EEE quality grade	ECSS Class 1
Lifetime	7 years in LEO / 15 years in GEO
Reliability	<119 FITS @25°C

Product specifications are subject to change without notice or obligation